

PAMS Technical Documentation

NHX-7 Series Transceivers

Chapter 4

Transceiver Variants

AMENDMENT RECORD SHEET

Amendment Number	Date	Inserted By	Comments
	11/98		Original

CONTENTS

	Page No
Foreword	5 – 4
Transceiver NHX-7	5 – 4
Modules	5 – 4
Exploded View of Transceiver NHX-7	5 – 5
Assembly Parts of NHX-7	5 – 6
Quick Guide	5 – 7
General	5 – 7
Memory	5 – 7
Menu	5 – 7

Foreword

This section 5 of the service manual contains specific details for the NHX-7 handportable telephone variants.

The appendix comprises an exploded view of the NHX-7 variants (including a list of assembly parts) plus component parts lists covering the system module and the display module; and the Quick Guide, which aims to provide all user information that service personnel are likely to require during servicing and repair of equipment.

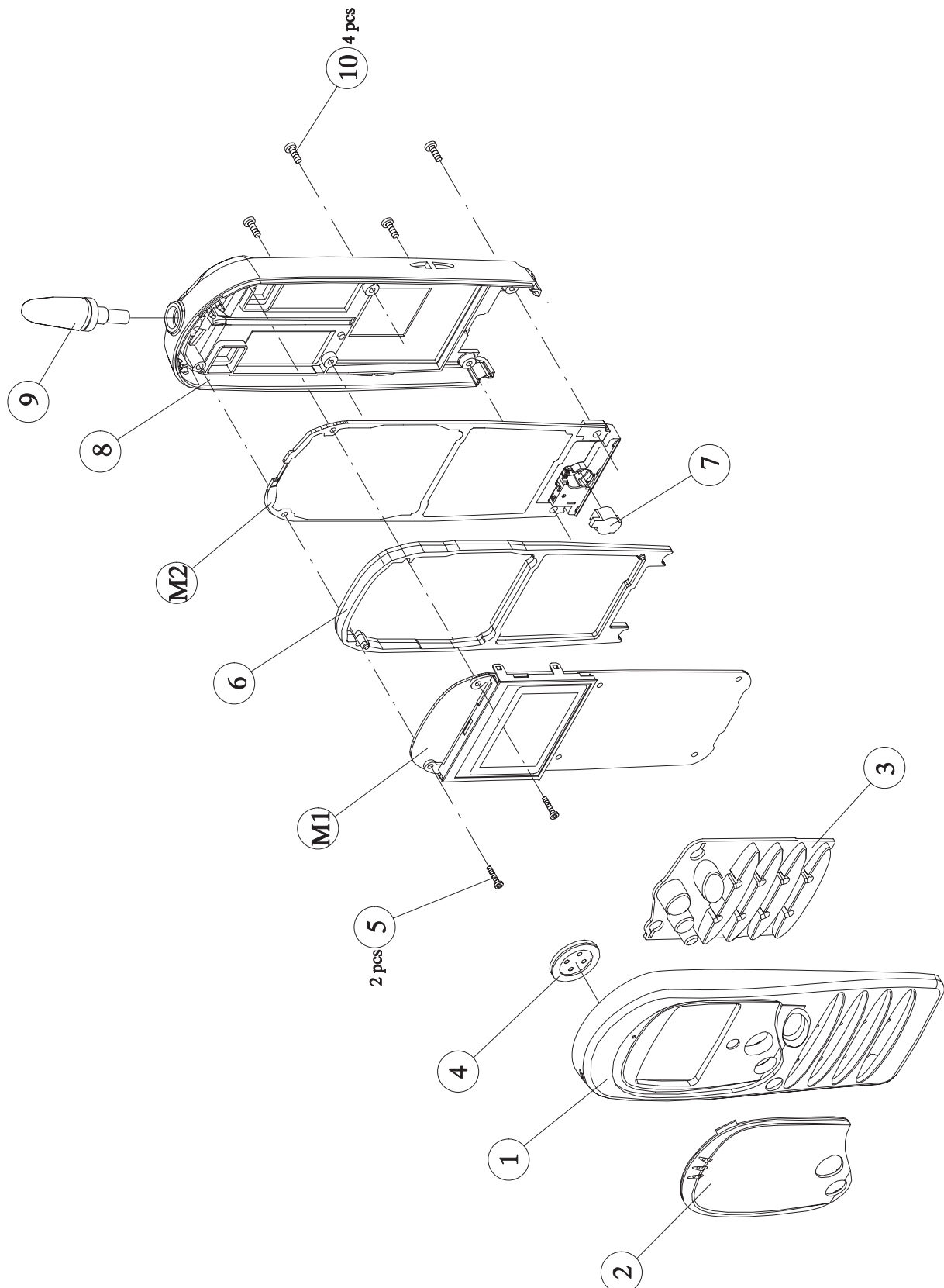
NOTE: **The Service Manual is intended for use by qualified service personnel only.**

Basic Transceiver NHX-7

Modules

Unit/type:	Product code:	Module code:
Transceiver NHX-7	0501668	
• System/RF module		0201185
• User Interface module		0201213
• mechanics MNHX7		0261696
• Swap Unit	0068949	

Exploded View of Transceiver NHX-7



Assembly Parts of NHX-7

ITEM	Q'TY	CODE	DESCRIPTION	VALUE, TYPE
1		9451435	A-COVER black	DMC02022
alt		9456467	A-COVER black 2	
alt		9456468	A-COVER blue	
alt		9456469	A-COVER red	
alt		9456470	A-COVER green	
2		9456433	WINDOW assy	DMC02018
3		9794017	Keymat white	DMC02009
alt		9794016	Keymat black	DMC02052
4		5140131	Speaker+spring 100+—3DB	32R D13.D13.3
5	2	6190015	Screw m1.6x10	dmd01750 t6 fezn CL
6		9540030	Frame	dmd04112
7		5140101	Microphone assembly	DMC00955
8		9456447	B-COVER	DMC02021
9		0660184	Antenna fixed helix	872–950MHz
10	4	6190013	Screw m1.6x7	dmd01749 t6 fezn blk
M1		0201213	UIF Module	JE3
M2		0201185	RF/system module	JP3

Quick Guide

General

- Make a call Area code, phone number **Talk**
- End a call **End**
- Answer a call **Talk**
- Clear the display Press **End**
- Last number redial **Talk**
- Mute/unmuted Press **MUTE**
- Lock/unlock keypad **MENU ***
- Adjust earpiece Scroll **^** or **v**
- Emergency services Emergency number **Talk**

Memory

- Store a number (in first avail. location) Area code, number **SAVE, OK**
- Search for a number or name **^** or **v**
- Search for a name **^** or **v** / **NAMES, SEARCH**

Menu

- Enter menu **MENU**
- Scroll functions **^** or **v**
- Select displayed function **Select**
- Scroll options **^** or **v** select option, **OK**
- Shortcut (see list below) **MENU** *Function number*
- Exit menu **EXIT, BACK, End**

This page intentionally left blank.